



HOME | PRINT | HELP | BASKET | SEARCH | Close

DVD Rel.41

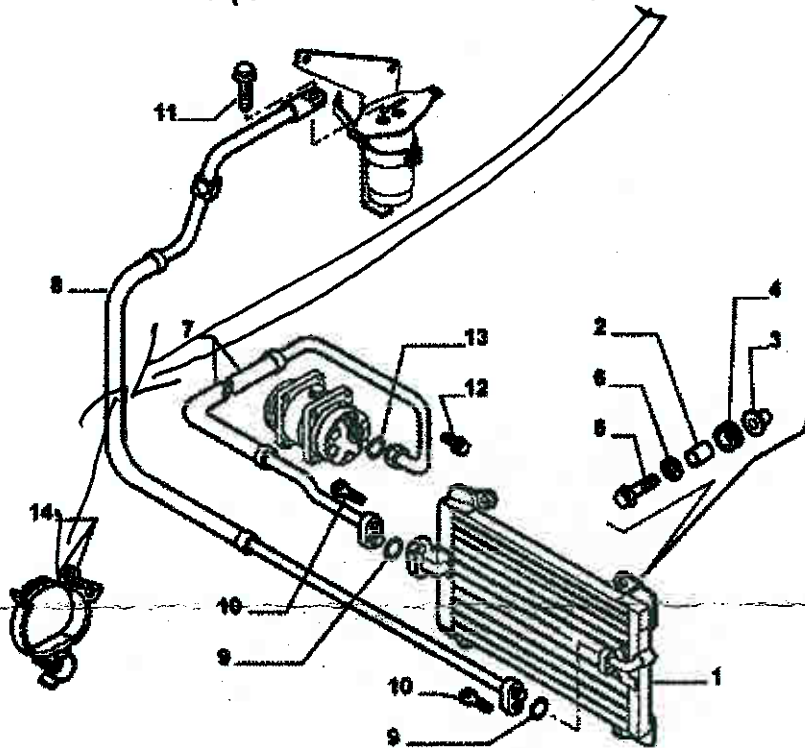
FIAT - COMMERCIAL VEHICLES \ N. DUCATO 2002 \ 2E DUCATO RESTYL. BZ/DS (2001-2006) \ 501 VENTILATION AND HEATING \ 50103/00 AIR CONDITIONING SYSTEM

CURRENT VEHICLE DATA: V9 • M10 • Colour: 060|321 • 11 / 2005 • GS • Chassis No.: 07729022 • Vehicle No.: 07729024 •

<< N. 3/9 >> Subcategory: 50103/00 - AIR CONDITIONING SYSTEM (TAB:3/9)  
Compatibility: NONE

*KLAMMA NR 14 LOSNAT*

*290 C/A 198h*



PROD. CODE	FUR. DESCR.
1	CONDENSER
<input type="checkbox"/> 1312857080	
<input type="checkbox"/> 1340166080	
<input type="checkbox"/> 1347842080	
2	SPACER
<input type="checkbox"/> 4130913	
3	PAD
<input type="checkbox"/> 7648317	
4	BUSH
<input type="checkbox"/> 7560274	
5	SCREW
<input type="checkbox"/> 15512907	
6	PLANE WASHER
<input type="checkbox"/> 12647707	
7	HOSE
<input type="checkbox"/> 1334857080	M1
<input type="checkbox"/> 1340168080	M1
<input type="checkbox"/> 1334866080	
<input type="checkbox"/> 1340170080	
<input type="checkbox"/> 1340170080	
8	HOSE
<input type="checkbox"/> 1334854080	
<input type="checkbox"/> 1340167080	
<input type="checkbox"/> 1347843080	
9	SEAL GASKET
<input type="checkbox"/> 14450483 6,7X1,78	
10	SCREW
<input type="checkbox"/> 13832421	
<input type="checkbox"/> 13837421	
11	SCREW
<input type="checkbox"/> 13836814	
12	SCREW
<input type="checkbox"/> 11307024	
13	LOCK WASHER
<input type="checkbox"/> 12601274	
14	CLIP
<input type="checkbox"/> 1339961080	



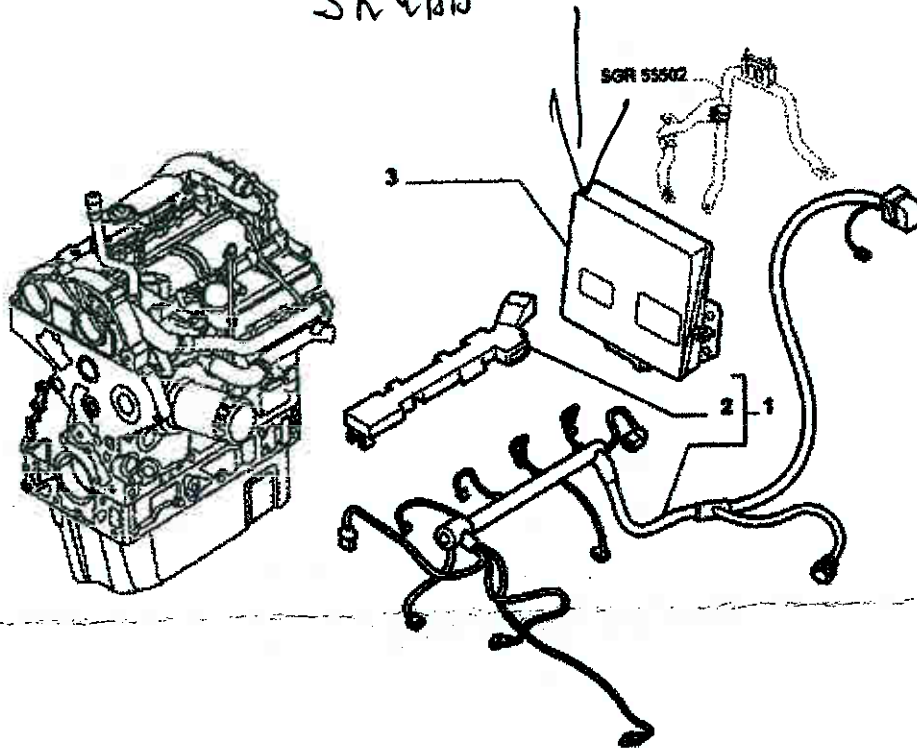
HOME | PRINT | HELP | BASKET | SEARCH | Close  
DVD Ref.41

FIAT - COMMERCIAL VEHICLES \ NUOVO DUCATO 2006 \ 2) NUOVO DUCATO 2006 \ 102 FUEL END EXHAUST SYSTEMS \ 10226/94 FUEL INJECTION SYSTEM M94 ,M95

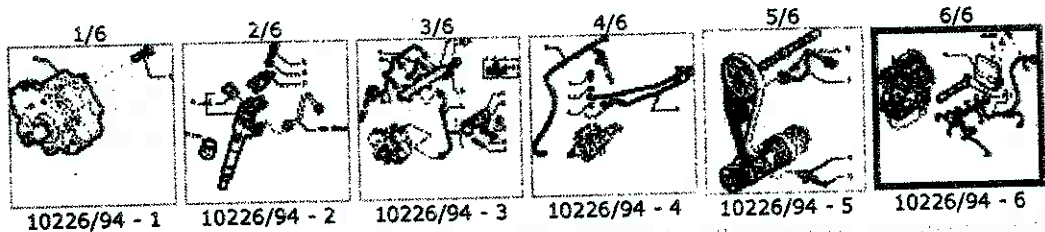
CURRENT VEHICLE DATA: GS

Subcategory: 10226/94 - FUEL INJECTION SYSTEM (TAB:6/6) 250CWA81  
 Compatibility: M94 ,M95

SKYDD



PROD. CODE	FUR. DESCR.	COMP.	M
<b>1 CABLE HARNESS</b>			
<input type="checkbox"/>	504260108		
<b>2 GLASS RUN</b>			
<input type="checkbox"/>	504124879		
<b>3 INJECTION CTRLUNITS</b>			
<input type="checkbox"/>	55193065	M94	C:
<input type="checkbox"/>	55209435	M94	D: C:
<input type="checkbox"/>	51799349	M94	D: C:
<input type="checkbox"/>	51820662	M94	D: C:
<input type="checkbox"/>	51824236	M94	D:
<input type="checkbox"/>	51799350	M94	C: +733
<input type="checkbox"/>	51821469	M94	D: +733
<input type="checkbox"/>	55202945	TEMPO LIBERO	M95 C:
<input type="checkbox"/>	55209436	TEMPO LIBERO	M95 D: C:
<input type="checkbox"/>	51799351	TEMPO LIBERO	M95 D: C:
<input type="checkbox"/>	51820663	TEMPO LIBERO	M95 D: C:
<input type="checkbox"/>	51824237	TEMPO LIBERO	M95 D:
<input type="checkbox"/>	51799352	TEMPO LIBERO	M95 C: +733
<input type="checkbox"/>	51821470	TEMPO LIBERO	M95 D: +733



10226/94 - 1

10226/94 - 2

10226/94 - 3

10226/94 - 4

10226/94 - 5

10226/94 - 6



N. 6/6 : 10226/94 - FUEL INJECTION SYSTEM M94 ,M95

FIAT - COMMERCIAL VEHICLES

EPER

EPER

EPER

EPER

FIAT - COM